

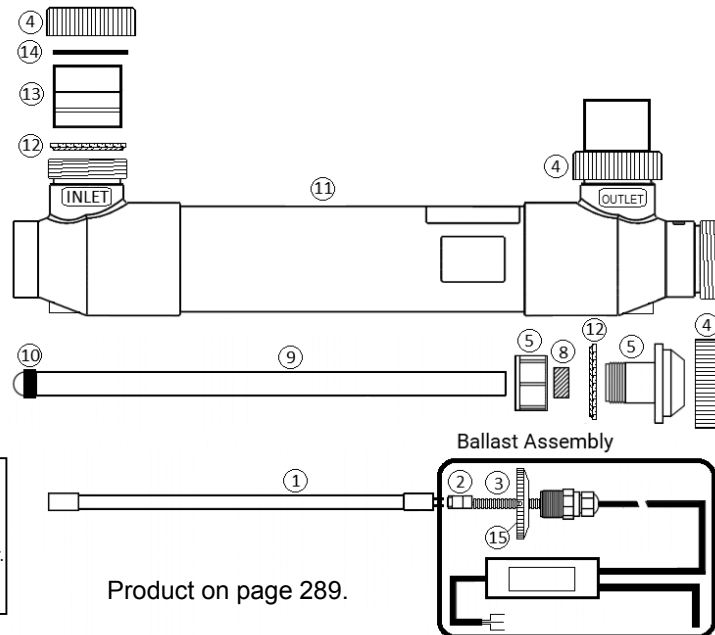
# SANITIZER<sup>‡</sup> PARTS

Product Catalog 2023

# BIOSHIELD® UV SYSTEM REPLACEMENT PARTS

Item	Part No.	Description	US List	CAN. List
1	523035	50 Watt UV Lamp for Model #522635	246.20	295.83
1	523036	80 Watt UV Lamp for Model #522636	266.12	319.77
1	523037	120 Watt UV Lamp for Model #522637	306.06	367.76
1	523038	150 Watt UV Lamp for Model #522638 and #522945	279.49	335.84
2	523034	4-Pin Lamp Connector	6.75	8.11
3	523423	Lamp Spacer	41.82	50.25
4	411000	Black Retaining Nut	28.85	34.67
8	960533	Quartz Sleeve Gasket	CALL	CALL
9	523039	Quartz Sleeve 22.25" for Model #522635	116.43	139.90
9	523040	Quartz Sleeve 38.25" for Model #522636	133.07	159.90
9	523041	Quartz Sleeve 50.75" for Model #522637	199.87	240.16
9	523042	Quartz Sleeve 65.00" for Model #522638 and #522945	166.34	199.87
10	523403	Quartz Sleeve Dampner Band	20.90	25.11
11	523110	50 Watt UV Housing	1114.92	1339.69
11	523111	80 Watt UV Housing	1168.24	1403.76
11	523112	120 Watt UV Housing	1207.25	1450.63
11	523113	150 Watt UV Housing	1658.91	1993.35
KITS				
523460		Ballast Assembly Only with Flow Switch Input Model #522635 - 522637	614.79	738.73
523462		Ballast Assembly Only with Flow Switch Input Model #522638/522945	614.79	738.73
523461		Ballast Assembly with Flow Switch and Tee Model #522635 - 522637	819.72	984.98
523463		Ballast Assembly with Flow Switch and Tee Model #522638/522945	819.72	984.98
523458		Flow Switch only (with connector)	184.43	221.61
523459		Reducer Tee 2.5" x 1"	22.54	27.08
523382		Quartz Sleeve Module - All Models (Includes Item # 5, 8)	295.89	355.54
410020		Union Assembly for Models # 522935-522638 (3"/2.5" - Includes Item # 12, 13, 14, 4)	214.75	258.04
523148		Union Assembly for Models # 522638-522945 (3") *	492.52	591.81
523098		Clamp Kit (Includes a set of 2)	192.61	231.44
523383		Seal Kit - All Models (Includes Item # 8, 12)	88.78	106.68
410016Z		Seal Kit Union (Includes 2 of Item #12)	17.75	21.33

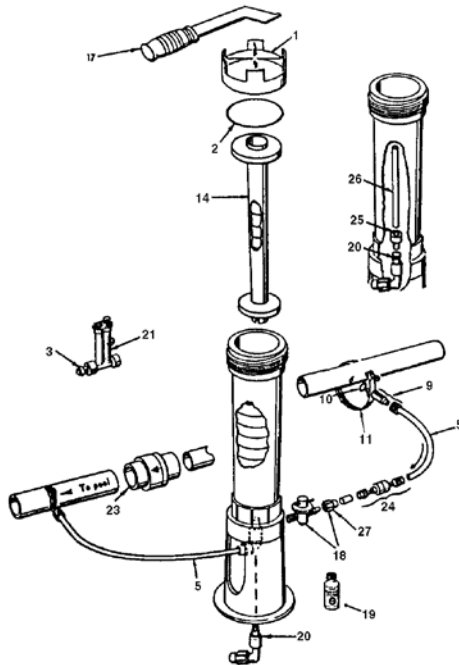
\*REVISION 2



CALIFORNIA PROPOSITION 65 WARNING  
 ⚠️ **WARNING:** Cancer and Reproductive Harm.  
 ⚠️ **AVERTISSEMENT:** Peut Causer le Cancer et des Dommages au Système Reproducteur.  
 ⚠️ **ADVERTENCIA:** Cáncer y Daño Reproductivo.  
[www.p65warnings.ca.gov](http://www.p65warnings.ca.gov)      P88-2017-114

# AUTOMATIC FEEDER - MODEL 300, 302, 300-19, 300-29

## REPLACEMENT PARTS



Item	Qty.	Part No.	Description	US List	Can. List
Order No.:		R171016		R171026	
Model No.:		300		302	
Description:		AUTOMATIC FEEDER		SPA HOT TUB FEEDER	

Item	Qty.	Part No.	Description	US List	Can. List
1	1	R172008W	3 in. threaded cap, white	26.78	32.18
2	1	R172009Z	O-ring, cap	10.40	12.50
3	Opt.	R172020	Check valve Old Style	7.06	8.48
5	1	R172023Z	3/8 in. o.d. x 1/4 in. i.d. tubing, 8 ft.	14.18	17.04
9	2	R172032Z	Tube fitting with compression nut	8.81	10.59
10	2	R172033Z	Gasket	3.79	4.55
11	2	R172034Z	Saddle clamp	8.81	10.59
14	1	R172037	Spa chamber #302 only	24.58	29.54
17	Opt.	R172052	Cap wrench	44.96	54.02
18	1	R172060Z	Control valve 1/4 in. NPT x tube with compression nut	36.60	43.98
19	1	R172036Z	Silicone lubricant, 3/4 oz.	14.55	17.48
20	1	R172061Z	Combination check valve / elbow	9.05	10.87
21	Opt.	R172080Z	Flow indicator w/check valve	CALL	CALL
23	Opt.	R172288	1-1/2 in.-2 in. Corrosion resistant check valve	60.34	72.50
24	Opt.	R172323	1/4 in. Corrosion resistant check valve	27.63	33.20
25		R172061ZB	Standpipe adapter, Bromine	CALL	CALL
26		R18761	6 in. Standpipe 3/8 in. o.d. x 1/4 in. i.d.	1.57	1.89
27	1	R18706Z	Compression nut only	CALL	CALL

Order No.: R172064

Parts bag for 300, 302, 300-19 & 300-29

9	2	R172032Z	Tube fitting with compression nut	8.81	10.59
10	2	R172033Z	Gasket	3.79	4.55
11	2	R172034Z	Saddle clamp	8.81	10.59
18	1	R172060Z	Control valve 1/4 in. NPT x tube with compression nut	36.60	43.98
19	1	R172036Z	Silicone lubricant	14.55	17.48
20	1	R172061Z	Combination check valve / elbow	9.05	10.87

CALIFORNIA PROPOSITION 65 WARNING

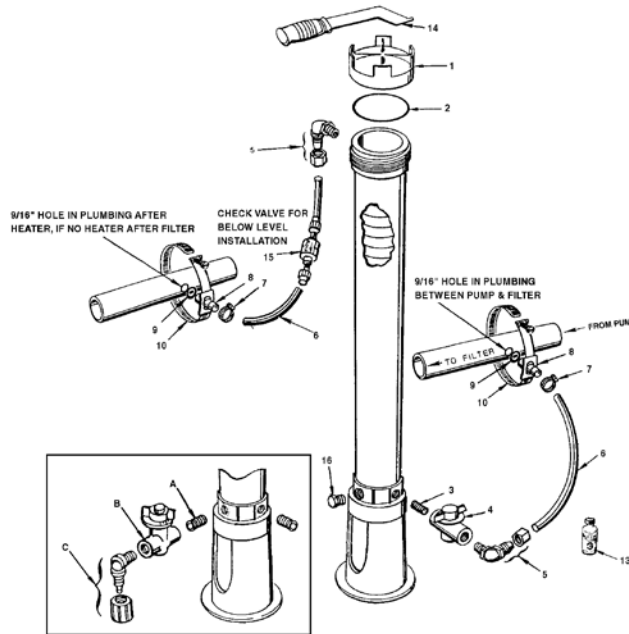
⚠ **WARNING:** Cancer and Reproductive Harm.  
 ⚠ **AVERTISSEMENT:** Peut Causer le Cancer et des Dommages au Système Reproducteur.  
 ⚠ **ADVERTENCIA:** Cáncer y Daño Reproductivo.  
[www.p65warnings.ca.gov](http://www.p65warnings.ca.gov)

Product on page 296.

\*"Sanitizer" is an industry term of art and is not intended to imply any antimicrobial capabilities.

# AUTOMATIC FEEDER - MODEL 300-29X

## REPLACEMENT PARTS



Item	Qty.	Part No.	Description	US List	Can. List
Order No.:			R171070		
Model No.:			300-29X		
Description:			COMMERCIAL SIZE FEEDER		
1	1	R172008W	3 in. threaded cap, white	26.78	32.18
2	1	R172009Z	O-ring, cap	10.40	12.50
3	1	R172256Z	1/2 in. x Short MPT nipple	CALL	CALL
4	1	R172086Z	1/2 in. Control valve	77.23	92.80
5	2	R172272Z	1/2 in. 90° NPT x tube fitting w/nut	11.00	13.22
5	Opt.	R172274Z	Compression nut only (for R172272Z)	CALL	CALL
6	1	R172269	1/2 in. i.d. Feeder tube, 12 ft.	26.61	31.97
7	2	R175013	S/S tubing clamp	8.81	10.59
8	2	R172262Z	Saddle tube fitting	CALL	CALL
9	2	R172263Z	Saddle gasket	CALL	CALL
10	2	R172264Z	Saddle clamp	CALL	CALL
10A	Opt.	R172264XL	Saddle clamp for 3 in., 4 in. & 6 in. pipe	21.58	25.93
11	1	R172392	1/4 in. MPT PVC plug (old style)	8.56	10.29
13	1	R172036Z	Silicone lubricant, 3/4 oz.	14.55	17.48
14	Opt.	R172052	Cap wrench	44.96	54.02
15	Opt.	R172324NS	1/2 in. Corrosion resistant check valve, tube x tube (ball)	CALL	CALL
16	1	R172134	1/2 in. MPT PVC plug	9.43	11.33

Item	Qty.	Part No.	Description	US List	Can. List
Order No.:			R172275		
Parts bag for 300-29X Complete					
3	1	R172256Z	1/2 in. x Short MPT nipple	CALL	CALL
4	1	R172086Z	1/2 in. Control valve	77.23	92.80
5	2	R172272Z	1/2 in. 90° NPT x tube fitting w/nut	11.00	13.22
5	Opt.	R172274Z	Compression nut only (for R172272Z)	CALL	CALL
7	2	R175013	S/S tubing clamp	8.81	10.59
8	2	R172262Z	Saddle tube fitting	CALL	CALL
9	2	R172263Z	Saddle gasket	CALL	CALL
10	2	R172264Z	Saddle clamp	CALL	CALL
13	1	R172036Z	Silicone lubricant	14.55	17.48
Order No.:			R172002		
Optional Drain Kit					
A		R172256Z	1/2 in. Short MPT nipple	CALL	CALL
B		R172086Z	1/2 in. Control valve	77.23	92.80
C		R172272Z	1/2 in. 90° NPT x tube fitting w/nut	11.00	13.22

Product on page 296.

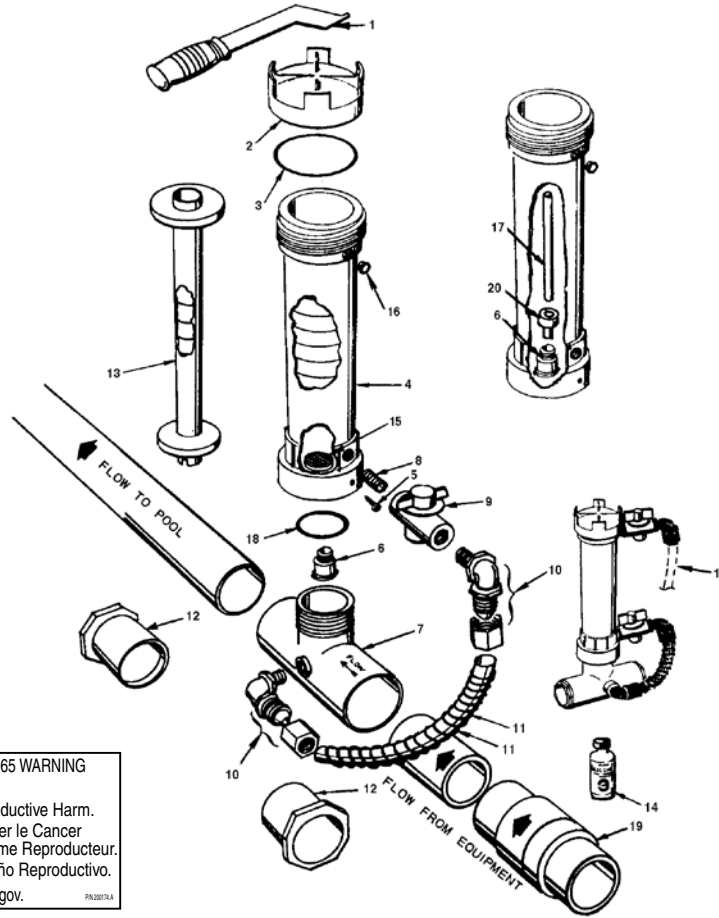
CALIFORNIA PROPOSITION 65 WARNING

▲ **WARNING:** Cancer and Reproductive Harm.  
▲ **AVERTISSEMENT:** Peut Causer le Cancer et des Dommages au Système Reproducteur.  
▲ **ADVERTENCIA:** Cáncer y Daño Reproductivo.

[www.p65warnings.ca.gov](http://www.p65warnings.ca.gov)
PR020714

# AUTOMATIC FEEDER - MODEL 320

## REPLACEMENT PARTS



CALIFORNIA PROPOSITION 65 WARNING  
 ⚠️ **WARNING:** Cancer and Reproductive Harm.  
 ⚠️ **AVERTISSEMENT:** Peut Causer le Cancer et des Dommages au Système Reproducteur.  
 ⚠️ **ADVERTENCIA:** Cáncer y Daño Reproductivo.  
 www.p65warnings.ca.gov. P652017A

Item	Qty.	Part No.	Description	US List	Can. List
<b>Order No.: R171096</b>					
<b>Model No.: 320</b>					
<b>Description: IN-LINE AUTOMATIC FEEDER</b>					
1	Opt.	R172052	Cap wrench	44.96	54.02
2	1	R172008W	3 in. threaded cap - white	26.78	32.18
3	1	R172009Z	O-ring, cap	10.40	12.50
4	1	R172321	#320 Body only (new style)	80.58	96.82
5	1	R01052	Lock screw	2.17	2.61
6	1	R172248Z	Check valve	CALL	CALL
7	1	R172317	Diverter tee 1-1/2 NPT x 2 in. slip	39.88	47.92
8	1	R172256Z	1/2 in. x Short MPT nipple	CALL	CALL
9	1	R172086Z	1/2 in. Control valve	77.23	92.80
10	2	R172272Z	1/2 in. NPT x tube 90° ELL w/nut	11.00	13.22
10	Opt.	R172274Z	Compression nut only (for R172272Z)	CALL	CALL

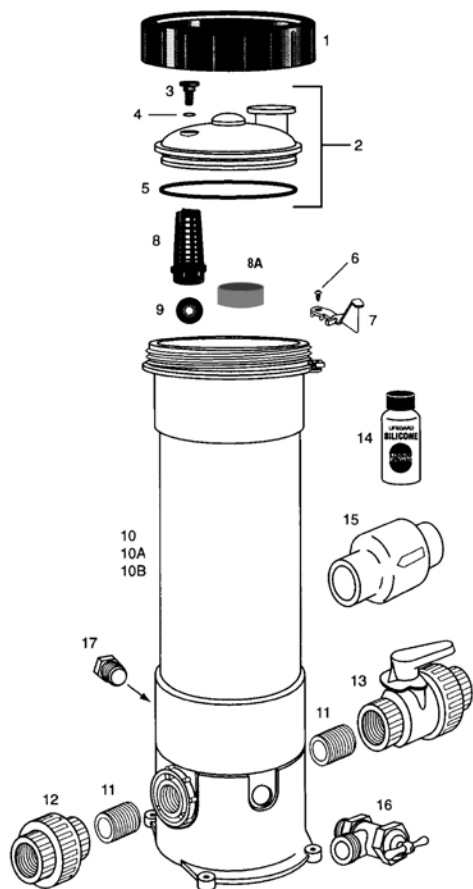
Item	Qty.	Part No.	Description	US List	Can. List
11	1	R172091	5/8 in. o.d. Short feeder tube	8.29	9.96
11	Opt.	R171097Z	Tube support spring	CALL	CALL
12	2	R172210	2 in. x 1-1/2 in. S x S bushing for 1-1/2 in. PVC only <sup>1</sup>	8.56	10.29
13	Opt.	R172037	Spa chamber	24.58	29.54
14	1	R172036Z	Silicone lubricant, 3/4 oz.	14.55	17.48
15	1	210396Z	Screen	4.72	5.67
16	1	R172134	1/2 in. NPT PVC plug	9.43	11.33
17	1	R172253Z	5/8 in. o.d. 18 in. tube (optional top feed)	8.54	10.26
18	1	R172319Z	Bottom O-ring	CALL	CALL
19	Opt.	R172288	1-1/2 in. Corrosion resistant check valve	60.34	72.50
20	1	R172048B	Standpipe adapter, Bromine	2.23	2.68

<sup>1</sup> Not used with 2 in. PVC.

Product on page 296.

# HIGH CAPACITY AUTOMATIC FEEDERS MODELS HC-3315, HC-3330, HC-3340

## REPLACEMENT PARTS



Item	Qty.	Part No.	Description	US List	Can. List
Order No.: R171215, R171230, R171240					
Model No.: HC-3315, HC-3330, HC-3340					
Description: HIGH CAPACITY AUTOMATIC FEEDER					
1	1	R172214	Lock ring	26.29	31.59
2	1	R172385D	Lid assembly complete	46.41	55.77
3	1	R172224XZ	Vent valve	CALL	CALL
4	1	R172221Z	O-ring vent valve	CALL	CALL
5	1	R172240Z	O-ring lid to housing	CALL	CALL
6	1	R172375	Lock screw	2.17	2.61
7	1	R172374	Lock spring	8.56	10.29
8	1	R175251	Screen	8.66	10.41
8A	1	R171919	Check Valve Seat	CALL	CALL
9	1	R172435	Check ball	2.23	2.68
11	2	R270484	1 in. Close nipple	8.56	10.29
12	1	R270531	1 in. Threaded union	26.87	32.29
13	1	R172439	Control valve	124.29	149.35
14	1	R172036Z	Silicone lubricant, 3/4 oz.	14.55	17.48
15	Opt.	R172288	1-1/2 in.-2 in. Check valve	60.34	72.50
16	1	R175009	Hose Bib w/t Handle 1/2 in.	26.45	31.78
17	1	R172134	1/2 in. threaded plug	9.43	11.33
<b>NOT SHOWN</b>					
		R172082	Flow rate indicator	CALL	CALL

CALIFORNIA PROPOSITION 65 WARNING

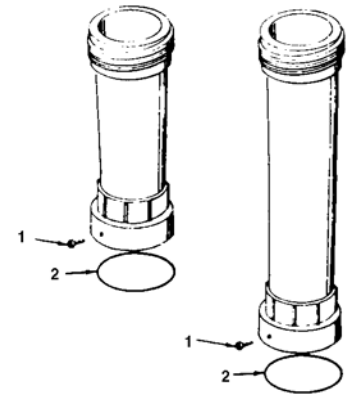
⚠ **WARNING:** Cancer and Reproductive Harm.  
 ⚠ **AVERTISSEMENT:** Peut Causer le Cancer et des Dommages au Système Reproducteur.  
 ⚠ **ADVERTENCIA:** Cáncer y Daño Reproductivo.  
[www.p65warnings.ca.gov](http://www.p65warnings.ca.gov)

Product on page 296.

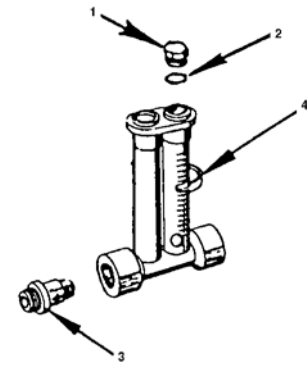
# EXTENSIONS / DISPENSERS / FLOW INDICATORS

## REPLACEMENT PARTS

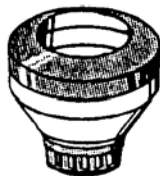
Item	Qty.	Part No.	Description	US List	Can. List
<b>Order No.: R172087 10 IN. EXTENSION COMPLETE</b>					
<b>Order No.: R172283 20 IN. EXTENSION COMPLETE</b>					
1	1	R172078	Lockscrew (bottom collar)	2.17	2.61
2	1	R172009Z	O-ring	10.40	12.50
<b>Order No.: R172080Z Description: FLOW INDICATOR</b>					
1	1	R172392	Access plug 1/4 in. MPT	8.56	10.29
2	1	R172393	O-ring	8.56	10.29
3	1	R172020	Check valve	7.06	8.48
4	1	R172235	Marker clip	8.81	10.59
<b>Order No.: R172627 Description: CORROSION RESISTANT FLOW INDICATOR</b>					
1	1	R172276	Commercial flow indicator	104.83	125.96
1A	1	R172313	1/2 in. Coupling (included with flow indicator)	8.81	10.59
2	1	R270422	1/2 in. x 90° Elbow FPT	8.81	10.59
3	1	R172272Z	1/2 in. x 90° NPT x tube fitting with nut	11.00	13.22
4	1	R172628	Saddle clamp with inlet fitting (threaded)	36.96	44.41
5	1	R172263Z	Saddle gasket	CALL	CALL
6	1	R172324	1/2 in. Corrosion resistant check valve. Tube x tube	CALL	CALL
<b>Order No.: R171086 Model No.: 330 Description: FLOATING DISPENSER</b>					
1	1	R18729B	Lid only (new style – fits 'B' body)	8.56	10.29
<b>Order No.: R171130 Description: SPLASHER POOL/SPA DISPENSER</b>					
2.92	3.51	R18902	Cap	2.20	2.64
<b>Order No.: R171090 Model No.: 335 Description: SPA OR SMALL POOL FLOATING DISPENSERS</b>					
1	1	R18855	Screen	4.84	5.82
1	1	R18819	Lock ring	8.36	10.05



R172087 R172283



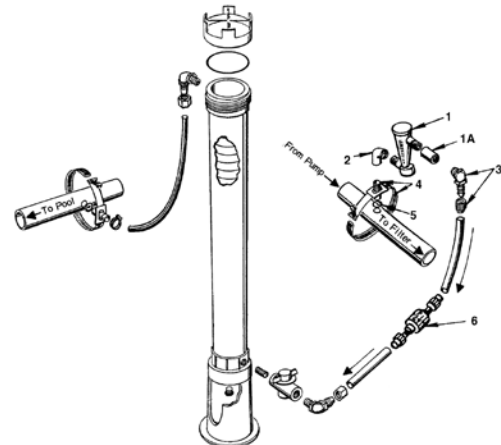
R172080Z



R171086



R171090



R172627

CALIFORNIA PROPOSITION 65 WARNING  
 ⚠️ WARNING: Cancer and Reproductive Harm.  
 ⚠️ AVERTISSEMENT: Peut Causer le Cancer et des Dommages au Système Reproducteur.  
 ⚠️ ADVERTENCIA: Cáncer y Daño Reproductivo.  
 www.p65warnings.ca.gov. PN 200714

Product on page 297.

